

# FRA 11-BSY+ drive



## Performance features

- » With motor electronics controlled via microprocessor for communication and sequence control of connected BSY+ and PLP window drives for opening windows
- » To be used in conjunction with an internal chamber gearbox and 43 mm mounting distance
- » Can be combined with any D+H drive with BSY+ technology
- » BRV (for PLP) or VP (for BSY+) option required for connected window drive
- » Up to four FRA 11-BSY+ drives on one window possible
- » Position display for the locking mechanism
- » LED status display for the drive
- » Automatic locking mechanism for the window
- » Increased burglary protection

## Accessories

Operation elements



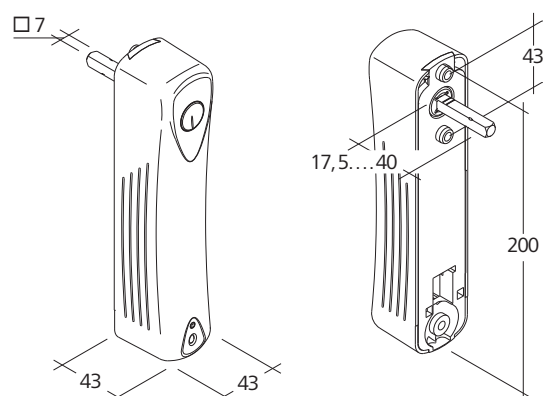
Cables



## Technical data

Supply	24 V DC / $\pm 15\%$ / 1 A
Duty cycle	30 %
Torque	10 Nm
Rotation angles	90° resp. 180°
Service life	> 10000 double strokes
Type of protection	IP 40
Temperature range	-5 °C ... +75 °C
Housing	Polyamide
Surface	Painted
Colour	Silver ( ~ RAL 9006 )
Connection	2.5 m silicone-cable
W x H x (D) in mm	43 x 200 x 43
Weight	0.75 kg

## Dimensions



All specifications in mm

## Design

Type	Art. No.	Remark
FRA 11-BSY+	24.000.11	
FRA-BSY+	24.000.10	Variable equipment possible